

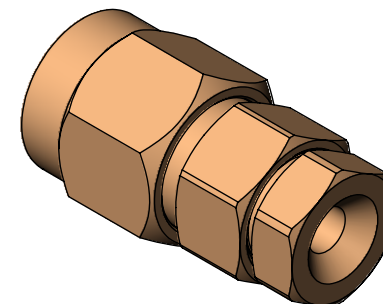
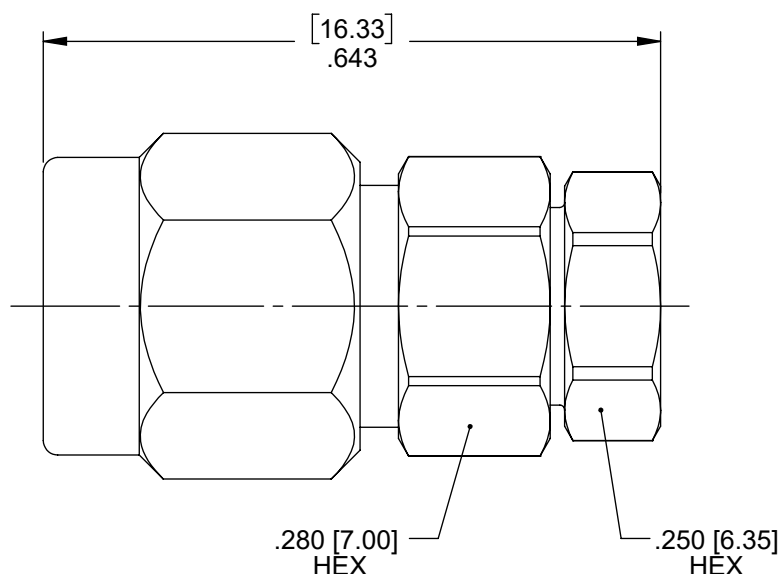
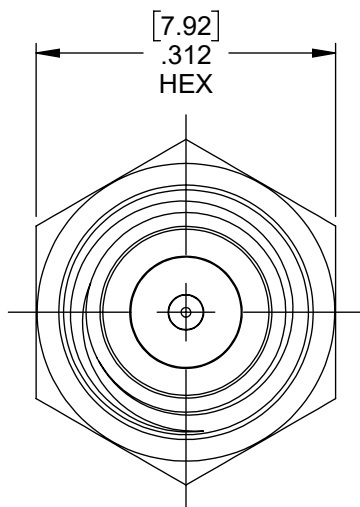
MATERIAL/FINISH PROPERTIES

MATERIAL PROPERTIES:
 BODY/SLEEVE/NUT: BERYLLIUM COPPER PER ASTM B196 OR EQUIVALENT
 CONTACT: BERYLLIUM COPPER PER ASTM B196 OR EQUIVALENT
 INSULATOR: PTFE PER ASTM D1710 OR EQUIVALENT

PLATING PROPERTIES:
 BODY/SLEEVE NUT: .000040 MIN. GOLD PER MIL-G-45204 OVER
 .000050 MIN. COPPER PER MIL-C-14550
 CONTACT: .000040 MIN. GOLD PER MIL-G-45204 OVER
 .000050 MIN. COPPER PER MIL-C-14550

MECHANICAL/ELECTRICAL PROPERTIES

CONNECTOR MEETS: MIL-STD-348 FIG. 310-1, MIL-PRF-39012
 CONNECTOR MEETS: RoHS 3, 2015/863/EU STANDARDS
 CONNECTOR DURABILITY: 500 CYCLES MIN.
 CABLE: RG405 (.086 S/R)
 ASSEMBLY INSTRUCTION: AI550
 IMPEDANCE: 50 OHMS NOMINAL
 FREQUENCY RANGE: DC-18 GHz
 VOLTAGE RATING: 335 VRMS
 INSULATION RESISTANCE: 5,000 MEGOHMS
 DIELECTRIC WITHSTANDING VOLTAGE: 1,500 VRMS



IntelliConnect

TITLE: SMA STRAIGHT CABLED SOLDERLESS PLUG (NON-MAGNETIC)

MATERIAL & FINISH: PER TABLE ABOVE

UNLESS OTHERWISE SPECIFIED
 ALL DIMENSIONS ARE REFERENCE
 X.XXX DIM'S = INCHES * [X.XX] DIM'S = MILLIMETERS
 SURFACE FINISH: 63 MICRO MAX.
 ALL DIAMETERS TO BE CONCENTRIC WITHIN .005 F.I.M.

DRAWN BY: JDH	CHECK BY: MS	APPR. BY: REP
DATE: 08/02/19	DATE: 08/02/19	DATE: 08/02/19

CAGE CODE NO: 5N5S5	SCALE: 5:1	SIZE: A	REV: B
----------------------------	-------------------	----------------	---------------

SALES DRAWING	PART NO. 5141-P1NN-603-100G	SHEET 1 OF 1
----------------------	---------------------------------------	------------------------

REV	DESCRIPTION	APPR	DATE
B	ECN 1853	MS	02/23/23
A	NPR 1679E	REP	08/02/19