

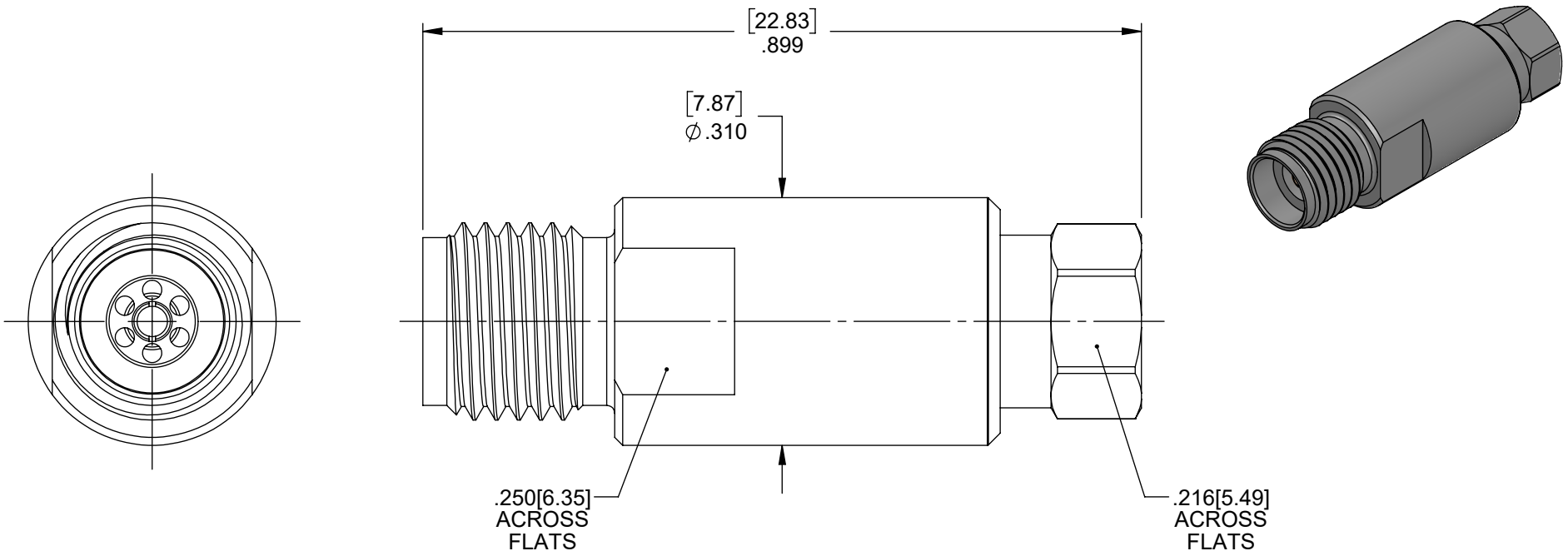
MATERIAL/FINISH PROPERTIES

MATERIAL PROPERTIES:
 BODY: STAINLESS STEEL PER ASTM A582 OR EQUIVALENT
 CONTACT: BERYLLIUM COPPER PER ASTM B196 OR EQUIVALENT
 INSULATOR: PCTFE (KEL-F) PER ASTM-D-1430-03 OR EQUIVALENT
 BUSHING: BRASS PER ASTM B16 OR EQUIVALENT

PLATING PROPERTIES:
 BODY: PASSIVATE PER QQ-P-35, TYPEII
 CONTACT: .000040 MIN. GOLD PER MIL-G-45204 OVER
 .000050 MIN. NICKEL PER QQ-N-290
 BUSHING: .000030 MIN. GOLD PER MIL-G-45204 OVER
 .000050 MIN. NICKEL PER QQ-N-290

MECHANICAL/ELECTRICAL PROPERTIES

CONNECTOR MEETS: MIL-STD-348 FIG. 323-2, MIL-PRF-39012
 CONNECTOR MEETS: RoHS 3 2015/863/EU STANDARDS
 CONNECTOR DURABILITY: 500 CYCLES MIN.
 CABLE: .047 SEMI RIGID (NbTi, SS, BeCu, CuNi)
 ASSEMBLY INSTRUCTION: AI576
 IMPEDANCE: 50 OHMS NOMINAL
 FREQUENCY RANGE: DC-40 GHZ
 VOLTAGE RATING: 335 VRMS



A	NPR 1826E	MS	03/03/21
REV	DESCRIPTION	APPR	DATE

IntelliConnect

UNLESS OTHERWISE SPECIFIED
 ALL DIMENSIONS ARE REFERENCE
 X.XXX DIM'S = INCHES * [X.XX] DIM'S = MILLIMETERS
 SURFACE FINISH: 63 MICRO MAX.
 ALL DIAMETERS TO BE CONCENTRIC WITHIN .005 F.I.M.

TITLE: 2.9MM STRAIGHT CABLED SOLDERLESS JACK

MATERIAL & FINISH: PER TABLE ABOVE

DRAWN BY: JDH	CHECK BY: NB	APPR. BY: MS
DATE: 03/03/21	DATE: 03/03/21	DATE: 03/03/21

CAGE CODE NO: 5N5S5	SCALE: 5:1	SIZE: A	REV: A
----------------------------	-------------------	----------------	---------------

SALES DRAWING	PART NO. 5169-J1NN-611-101P	SHEET 1 OF 1
----------------------	---------------------------------------	------------------------