

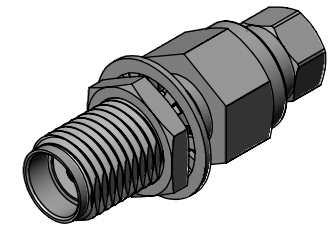
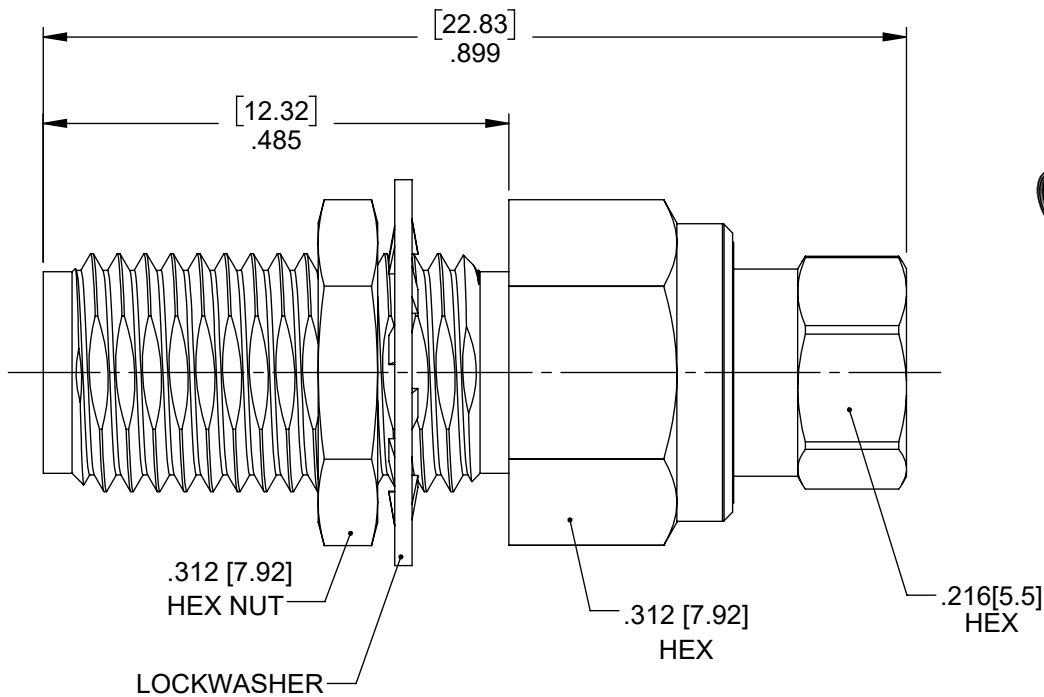
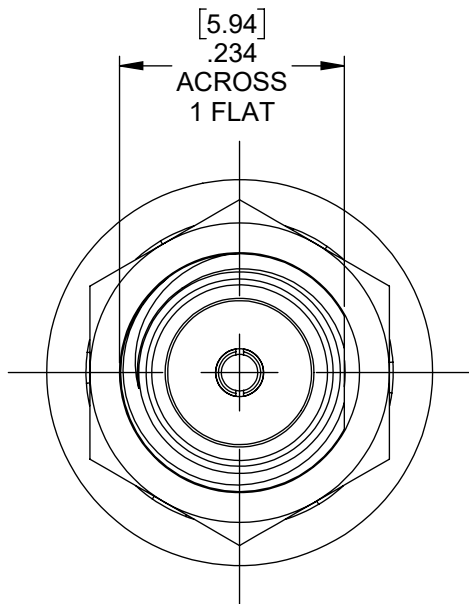
**MATERIAL/FINISH PROPERTIES**

**MATERIAL PROPERTIES:**  
 BODY: STAINLESS STEEL PER ASTM A582 OR EQUIVALENT  
 CONTACT: BERYLLIUM COPPER PER ASTM B196 OR EQUIVALENT  
 INSULATOR: PTFE PER ASTM D1710 OR EQUIVALENT  
 BUSHING: BRASS PER ASTM B16 OR EQUIVALENT  
 WASHER: STAINLESS STEEL PER ASTM A582 OR EQUIVALENT  
 LOCK WASHER: STAINLESS STEEL PER ASTM A582 OR EQUIVALENT

**PLATING PROPERTIES:**  
 BODY: PASSIVATE PER QQ-P-35, TYPE II  
 CONTACT: .000040 MIN. GOLD PER MIL-G-45204 OVER  
 .000050 MIN. NICKEL PER QQ-N-290  
 BUSHING: .000030 MIN. GOLD PER MIL-G-45204 OVER  
 .000050 MIN. NICKEL PER QQ-N-290

**MECHANICAL/ELECTRICAL PROPERTIES**

CONNECTOR MEETS: MIL-STD-348 FIG. 310-2, MIL-PRF-39012  
 CONNECTOR MEETS: RoHS 3 2015/863/EU STANDARDS  
 CONNECTOR DURABILITY: 500 CYCLES MIN.  
 MOUNTING: ES117-BK300  
 PANEL THICKNESS: .156 [4.0]  
 CABLE: .034 SEMI RIGID (NbTi, SS, BeCu, CuNi)  
 ASSEMBLY INSTRUCTION: AI577  
 IMPEDANCE: 50 OHMS NOMINAL  
 FREQUENCY RANGE: DC-18 GHz  
 VOLTAGE RATING: 335 VRMS  
 INSULATION RESISTANCE: 5,000 MEGOHMS



A	NPR 1826	MS	02/23/21
REV	DESCRIPTION	APPR	DATE

**IntelliConnect**

**UNLESS OTHERWISE SPECIFIED**  
 ALL DIMENSIONS ARE REFERENCE  
 X.XXX DIM'S = INCHES \* [X.XX] DIM'S = MILLIMETERS  
 SURFACE FINISH: 63 MICRO MAX.  
 ALL DIAMETERS TO BE CONCENTRIC WITHIN .005 F.I.M.

**TITLE:** SMA STRAIGHT CABLED SOLDERLESS BULKHEAD JACK

**MATERIAL & FINISH:** PER TABLE ABOVE

<b>DRAWN BY:</b> JDH	<b>CHECK BY:</b> NB	<b>APPR. BY:</b> MS
<b>DATE:</b> 02/23/21	<b>DATE:</b> 02/23/21	<b>DATE:</b> 02/23/21

<b>CAGE CODE NO:</b> 5N5S5	<b>SCALE:</b> 5:1	<b>SIZE:</b> A	<b>REV:</b> A
----------------------------	-------------------	----------------	---------------

<b>SALES DRAWING</b>	<b>PART NO.</b> 5139-J1BK-652-101P	<b>SHEET</b> 1 OF 1
----------------------	---------------------------------------	------------------------