

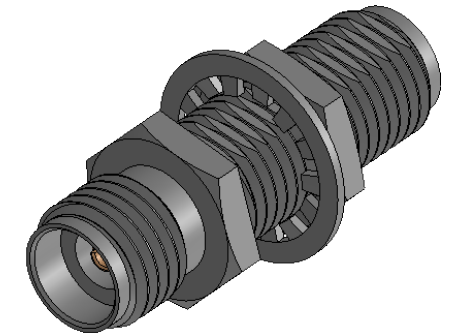
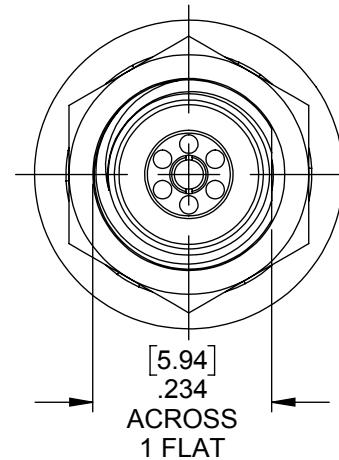
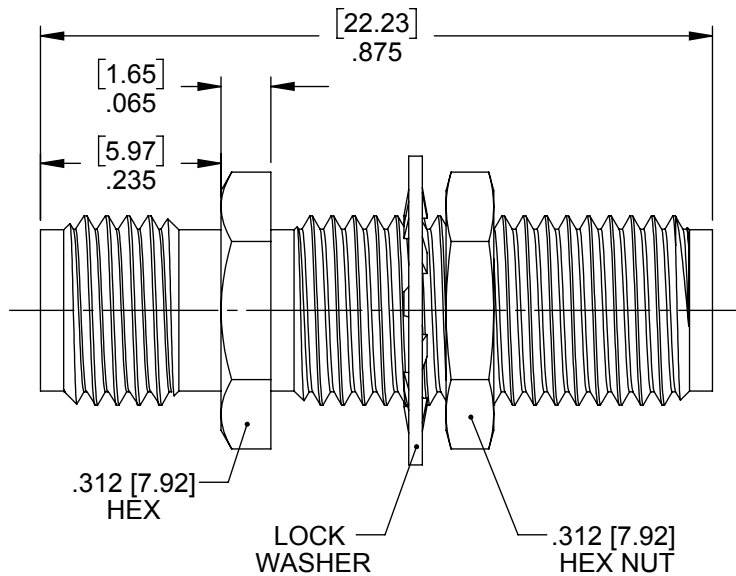
MATERIAL/FINISH PROPERTIES

MATERIAL PROPERTIES:
 BODY: STAINLESS STEEL PER ASTM A582 OR EQUIVALENT
 CONTACT: BERYLLIUM COPPER PER ASTM B196 OR EQUIVALENT
 INSULATOR: KEL-F

PLATING PROPERTIES:
 BODY: PASSIVATE PER QQ-P-35, TYPE II
 CONTACT: .000030 MIN. GOLD PER MIL-G-45204 OVER
 .000050 MIN. NICKEL PER QQ-N-290

MECHANICAL/ELECTRICAL PROPERTIES

CONNECTOR MEETS: MIL-STD-348 FIG. 323-2, MIL-PRF-39012
 CONNECTOR MEETS: RoHS 2011/65/EU STANDARDS
 CONNECTOR DURABILITY: 250 CYCLES MIN.
 MOUNTING: PER ES117-BK070
 PANEL THICKNESS: .236 [6.0] MAX.
 IMPEDANCE: 50 OHMS NOMINAL
 FREQUENCY RANGE: DC-40 GHz
 VOLTAGE RATING: 335 VRMS
 INSULATION RESISTANCE: 5,000 MEGOHMS
 TEMPERATURE RATING: -65°C TO +165°C



IntelliConnect

UNLESS OTHERWISE SPECIFIED

ALL DIMENSIONS ARE REFERENCE

X.XXX DIM'S = INCHES * [X.XX] DIM'S = MILLIMETERS

SURFACE FINISH: 63 MICRO MAX.

ALL DIAMETERS TO BE CONCENTRIC WITHIN .005 F.I.M.

TITLE: 2.92MM JACK TO 2.92MM JACK ADAPTER

MATERIAL & FINISH: PER TABLE ABOVE

DRAWN BY: NB
DATE: 01/12/17

CHECK BY: MS
DATE: 01/12/17

APPR. BY: TLB
DATE: 01/12/17

CAGE CODE NO: 5N5S5

SCALE
4:1

SIZE
A

REV
A

SALES DRAWING

PART NO.
A5809-1BK-101P

SHEET
1 OF 1

A	NPR 1352E	TLB	01/12/17
REV	DESCRIPTION	APPR	DATE