

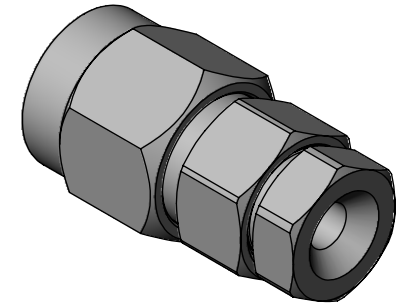
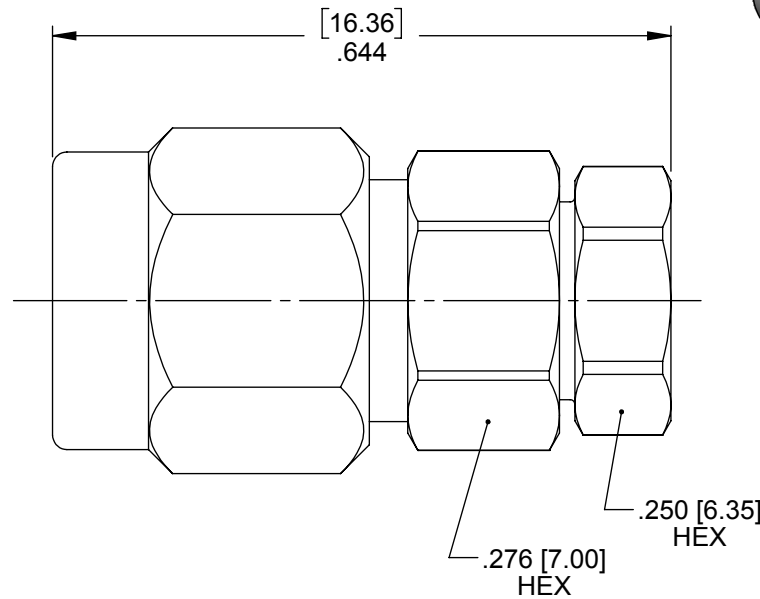
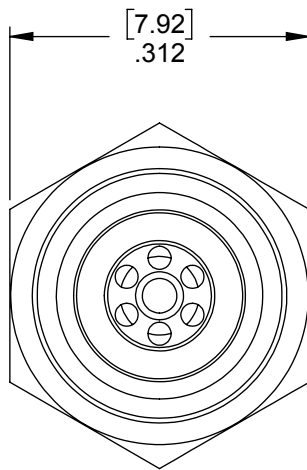
MATERIAL/FINISH PROPERTIES

MATERIAL PROPERTIES:
 BODY/SLEEVE/NUT: STAINLESS STEEL PER ASTM A582 OR EQUIVALENT
 CONTACT: BERYLLIUM COPPER PER ASTM B196 OR EQUIVALENT
 INSULATOR: KEL-F

PLATING PROPERTIES:
 BODY/SLEEVE/NUT: PASSIVATE PER QQ-P-35, TYPE II
 CONTACT: .000030 MIN. GOLD PER MIL-G-45204 OVER
 .000050 MIN. NICKEL PER QQ-N-290

MECHANICAL/ELECTRICAL PROPERTIES

CONNECTOR MEETS: MIL-STD-348 FIG. 323-1, MIL-PRF-39012
 CONNECTOR MEETS: RoHS 2002/95/EC STANDARDS
 CONNECTOR DURABILITY: 250 CYCLES MIN.
 CABLE: RG405 (.086 S/R)
 ASSEMBLY INSTRUCTION: AI554
 IMPEDANCE: 50 OHMS NOMINAL
 FREQUENCY RANGE: DC-40 GHz
 VOLTAGE RATING: 335 VRMS



NOTES: 1. THIS VERSION USES A MODIFIED CENTRE CONTACT TO MINIMISE RESISTANCE BETWEEN NUT CABLE CONDUCTOR AND CENTRE CONTACT .

IntelliConnect

UNLESS OTHERWISE SPECIFIED

ALL DIMENSIONS ARE REFERENCE

X.XXX DIM'S = INCHES * [X.XX] DIM'S = MILLIMETERS

SURFACE FINISH: 63 MICRO MAX.

ALL DIAMETERS TO BE CONCENTRIC WITHIN .005 F.I.M.

TITLE: 2.92 STRAIGHT CABLED SOLDERLESS PLUG

MATERIAL & FINISH: PER TABLE ABOVE

DRAWN BY: MS

CHECK BY: NB

APPR. BY: REP

DATE: 10/01/18

DATE: 10/01/18

DATE: 10/01/18

CAGE CODE NO: 5N5S5

SCALE
5:1

SIZE
A

REV
A

SALES DRAWING

PART NO.
5169-P1NN-603-102P

SHEET
1 OF 1

A	NPR 1573E	REP	10/01/18
REV	DESCRIPTION	APPR	DATE